

View from rear

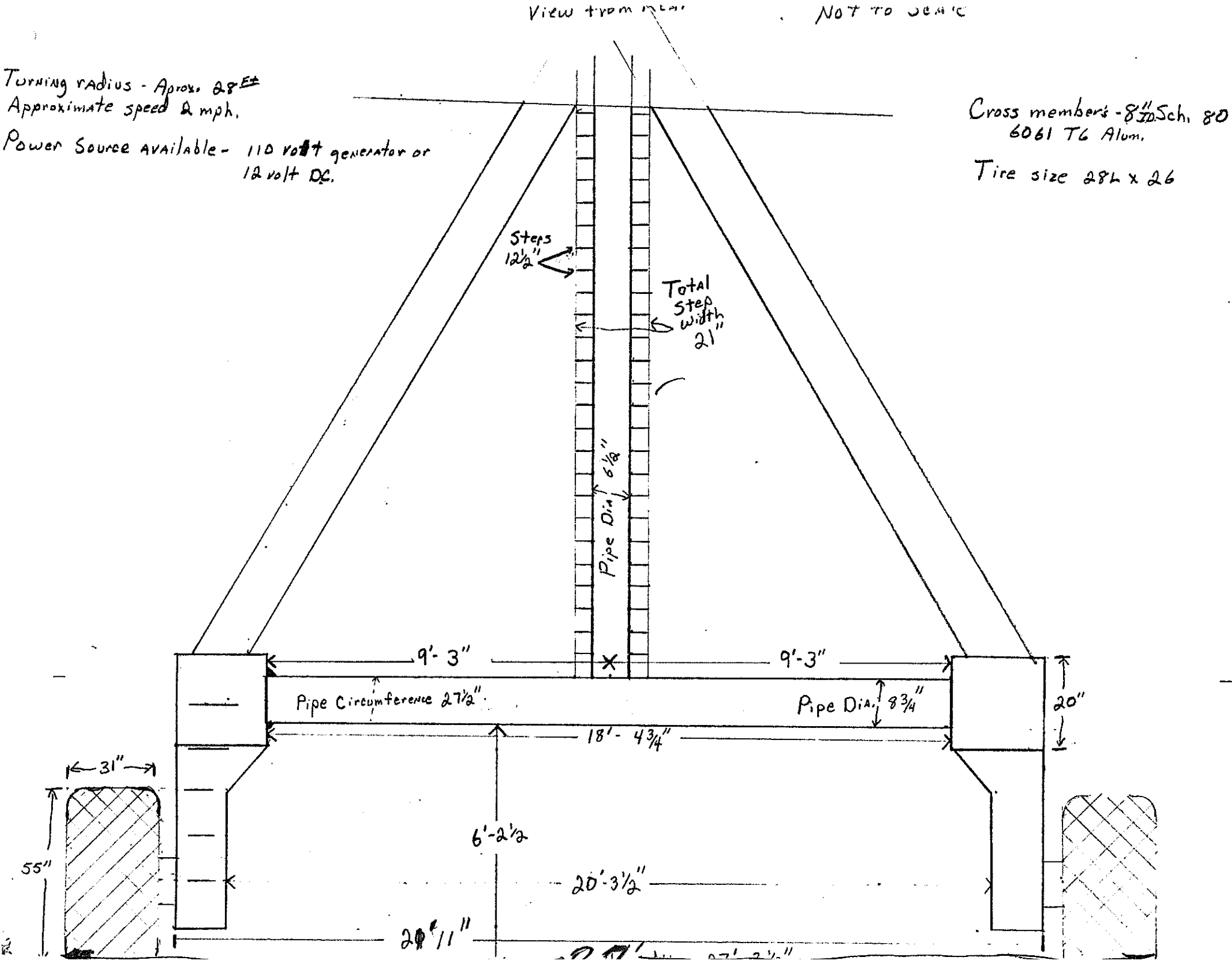
NOT TO SCALE

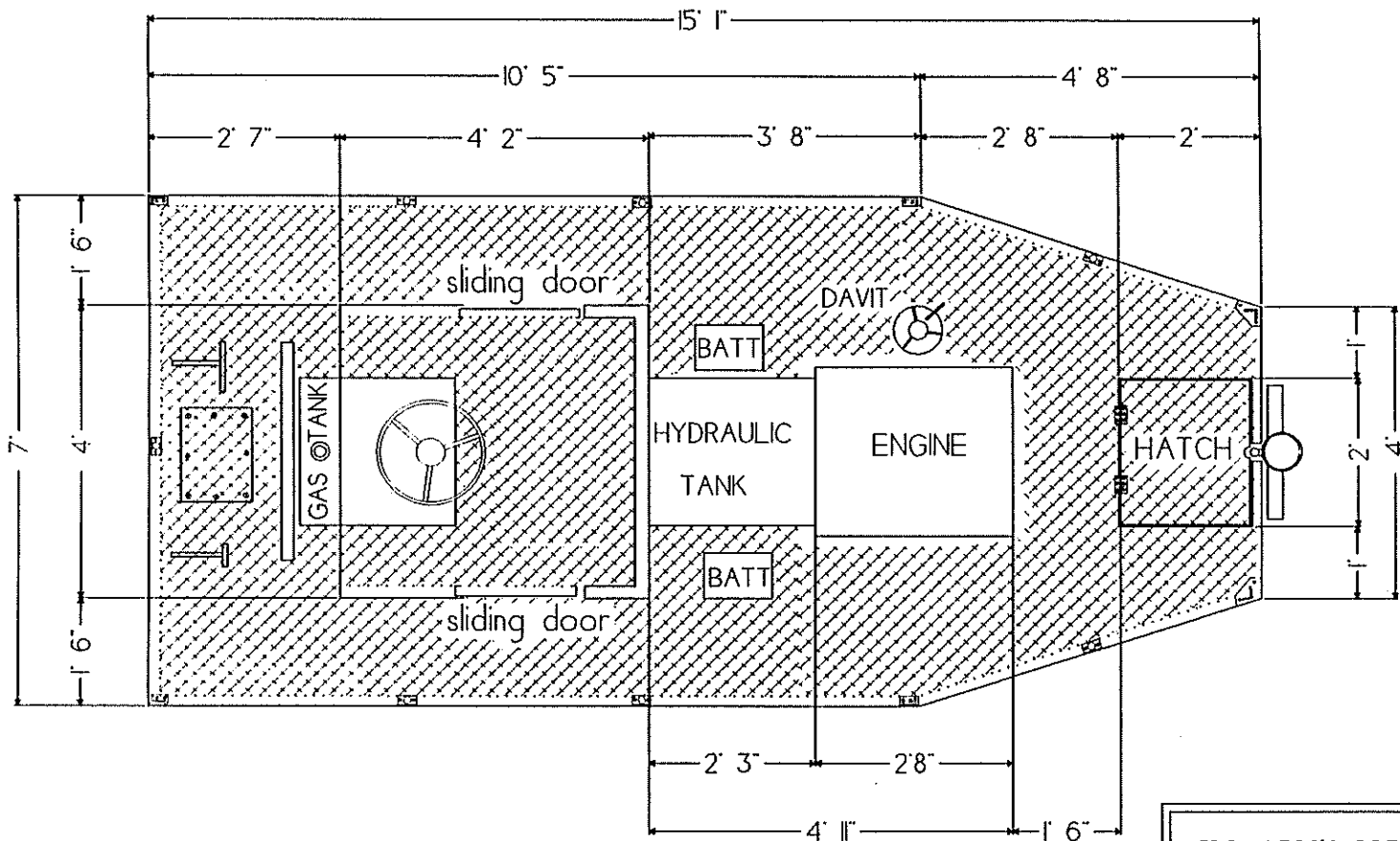
Turning radius - Approx. 28ft  
Approximate speed 2 mph.

Power Source Available - 110 volt generator or  
12 volt DC.

Cross members - 8 1/2" Sch. 80  
6061 T6 Alum.

Tire size 28x26





U.S. ARMY CORPS OF ENGINEERS  
 FIELD RESEARCH FACILITY  
 1261 DUCK ROAD  
 KITTY HAWK, NORTH CAROLINA

CRAB DECK LAYOUT

DWG. NO.  
 CRAB94

DATE  
 03 JUN 94

BY  
 JHR

View from top

Not to Scale

38"

FRONT

38"

23' 8 1/2"

19' 4 3/4"

